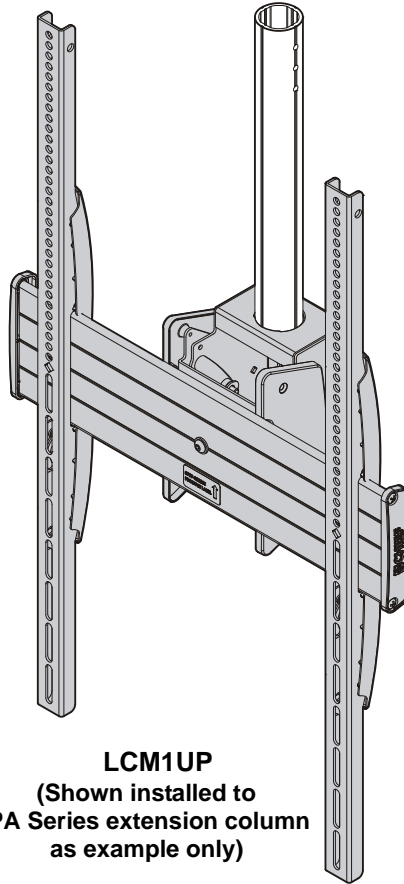

INSTALLATION INSTRUCTIONS



LCM1UP
(Shown installed to
CPA Series extension column
as example only)

Single Portrait Flat Panel Ceiling Mounts

DISCLAIMER

Milestone AV Technologies and its affiliated corporations and subsidiaries (collectively "Milestone"), intend to make this manual accurate and complete. However, Milestone makes no claim that the information contained herein covers all details, conditions or variations, nor does it provide for every possible contingency in connection with the installation or use of this product. The information contained in this document is subject to change without notice or obligation of any kind. Milestone makes no representation of warranty, expressed or implied, regarding the information contained herein. Milestone assumes no responsibility for accuracy, completeness or sufficiency of the information contained in this document.

Chief® is a registered trademark of Milestone AV Technologies. All rights reserved.



IMPORTANT SAFETY INSTRUCTIONS



WARNING: A WARNING alerts you to the possibility of serious injury or death if you do not follow the instructions.



CAUTION: A CAUTION alerts you to the possibility of damage or destruction of equipment if you do not follow the corresponding instructions.



WARNING: Failure to read, thoroughly understand, and follow all instructions can result in serious personal injury, damage to equipment, or voiding of factory warranty! It is the installer's responsibility to make sure all components are properly assembled and installed using the instructions provided.



WARNING: Failure to provide adequate structural strength for this component can result in serious personal injury or damage to equipment! It is the installer's responsibility to make sure the structure to which this component is attached can support five times the combined weight of all equipment. Reinforce the structure as required before installing the component.



WARNING: Exceeding the weight capacity can result in serious personal injury or damage to equipment! It is the installer's responsibility to make sure the combined weight of all components located between the mount up to (and including) the display does not exceed 125 lbs (56.7 kg).



WARNING: Use this mounting system only for its intended use as described in these instructions. Do not use attachments not recommended by the manufacturer.



WARNING: Never operate this mounting system if it is damaged. Return the mounting system to a service center for examination and repair.



WARNING: Do not use this product outdoors.

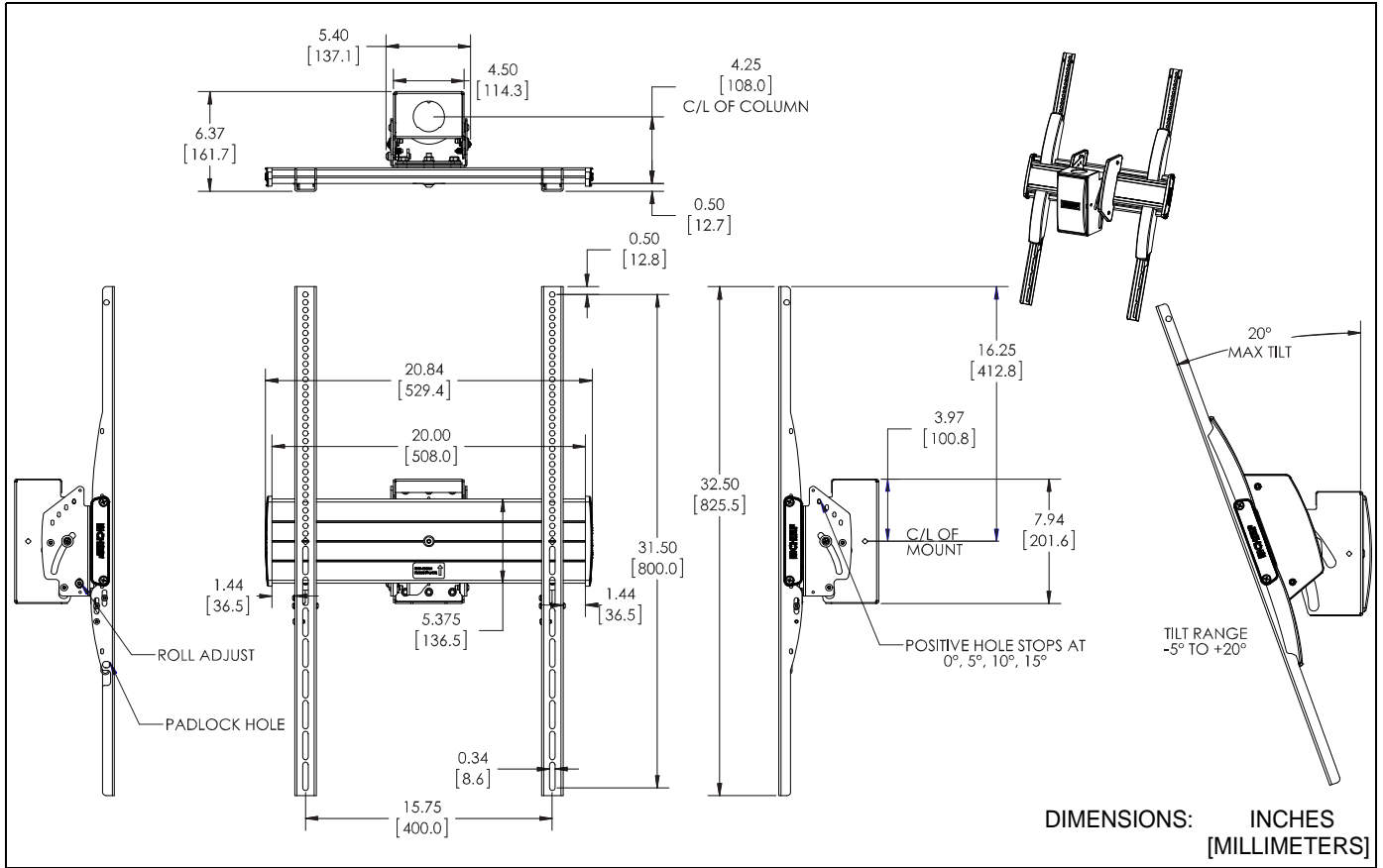
NOTE: The LCM1UP mounts are designed to be mounted to a 1-1/2" NPT or NPSM following ANSI/ASME B1.20.1 (Schedule 40, 0.154" minimum thickness steel or aluminum-ASTM B221) threaded extension column (not included); **OR** a UL Listed Chief CPA Series extension column (not included).

NOTE: The LCM1UP mounts are intended to be used with the UL Listed CPA Ceiling Plates (not included): CPA330, CPA365, CPA395.

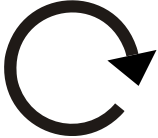

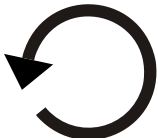






The following UL Listed Chief ceiling plates WITHOUT swaged collars (not included) may also be used: CMA330, CMA345, CMA395.

--SAVE THESE INSTRUCTIONS--

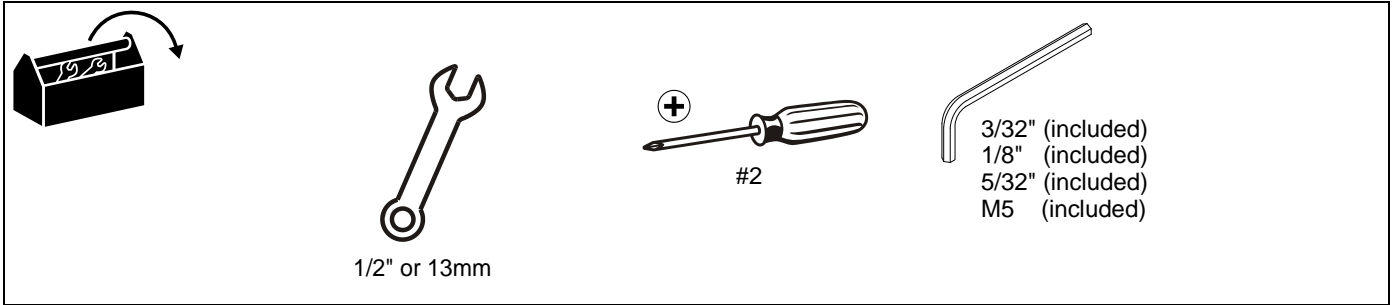
DIMENSIONS



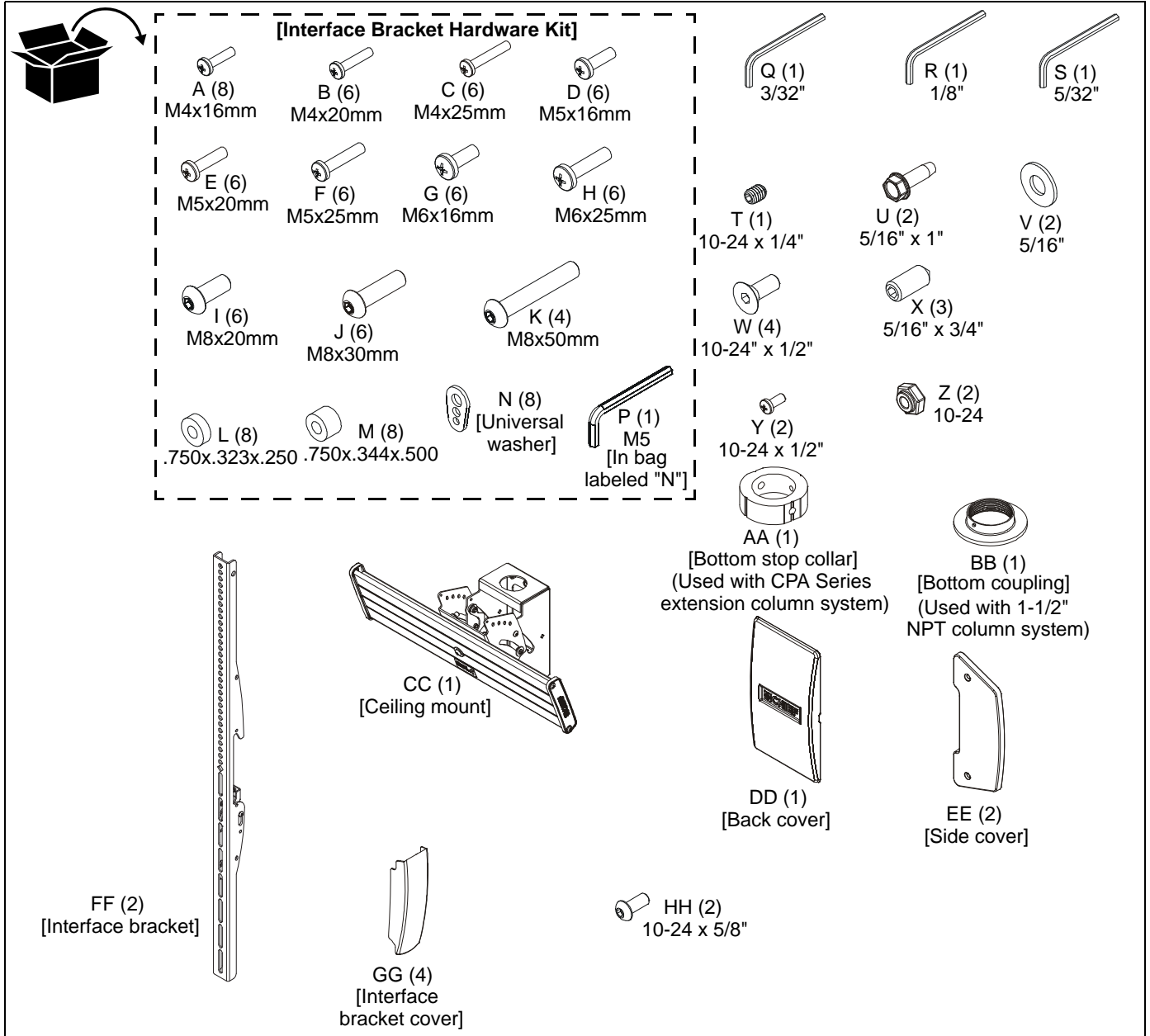
LEGEND

	<p>Tighten Fastener</p> <p>Apretar elemento de fijación</p> <p>Befestigungsteil festziehen</p> <p>Apertar fixador</p> <p>Serrare il fissaggio</p> <p>Bevestiging vastdraaien</p> <p>Serrez les fixations</p>		<p>Adjust</p> <p>Ajustar</p> <p>Einstellen</p> <p>Ajustar</p> <p>Regolare</p> <p>Afstellen</p> <p>Ajuster</p>
	<p>Loosen Fastener</p> <p>Aflojar elemento de fijación</p> <p>Befestigungsteil lösen</p> <p>Desapertar fixador</p> <p>Allentare il fissaggio</p> <p>Bevestiging losdraaien</p> <p>Desserrez les fixations</p>		<p>Remove</p> <p>Quitar</p> <p>Entfernen</p> <p>Remover</p> <p>Rimuovere</p> <p>Verwijderen</p> <p>Retirez</p>
	<p>Phillips Screwdriver</p> <p>Destornillador Phillips</p> <p>Kreuzschlitzschraubendreher</p> <p>Chave de fendas Phillips</p> <p>Cacciavite a stella</p> <p>Kruiskopschroevendraaier</p> <p>Tournevis à pointe cruciforme</p>		<p>Optional</p> <p>Opcional</p> <p>Optional</p> <p>Opcional</p> <p>Opzionale</p> <p>Optie</p> <p>En option</p>
	<p>Open-Ended Wrench</p> <p>Llave de boca</p> <p>Gabelschlüssel</p> <p>Chave de bocas</p> <p>Chiave a punte aperte</p> <p>Steeksleutel</p> <p>Clé à fourche</p>		<p>By Hand</p> <p>A mano</p> <p>Von Hand</p> <p>Com a mão</p> <p>A mano</p> <p>Met de hand</p> <p>À la main</p>
	<p>Hex-Head Wrench</p> <p>Llave de cabeza hexagonal</p> <p>Sechskantschlüssel</p> <p>Chave de cabeça sextavada</p> <p>Chiave esagonale</p> <p>Zeskantsleutel</p> <p>Clé à tête hexagonale</p>		

TOOLS REQUIRED FOR INSTALLATION



PARTS



INSTALLATION



WARNING: FAILURE TO PROVIDE ADEQUATE STRUCTURAL STRENGTH FOR THIS COMPONENT CAN RESULT IN SERIOUS PERSONAL INJURY OR DAMAGE TO EQUIPMENT! It is the installer's responsibility to make sure the structure to which this component is attached can support five times the combined weight of all equipment. Reinforce the structure as required before installing the component.

IMPORTANT ! : These instructions assume that a 1-1/2" NPT or NPSM following ANSI/ASME B1.20.1 (Schedule 40, 0.154" minimum thickness steel or aluminum-ASTM B221) threaded extension column with a minimum of four threads engaged (not included); or a UL Listed Chief CPA Series extension column (not included) -- has been properly installed and is in place.

NOTE: Proceed to **Attaching Mount to NPT Column** section or **Attaching Mount to CPA Extension Column** section, as appropriate.

Attaching Mount to NPT Column



CAUTION: WATCH FOR PINCH POINTS! Do not place fingers between moveable parts.

1. Slide ceiling mount (CC) up from below onto installed column (not included). (See Figure 1)
2. Thread bottom coupling (BB) onto installed column until tight, with a minimum of four threads engaged.

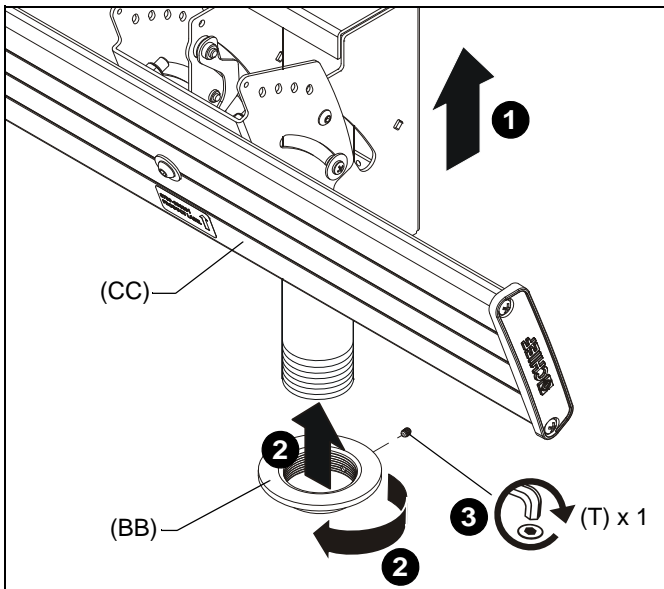


Figure 1

3. Install and tighten one 10-24 x 1/4" set screw (T) into bottom coupling (BB). (See Figure 1)
4. Install and tighten two 5/16" set screws (X) through back of mount (CC) and against column. (See Figure 2)

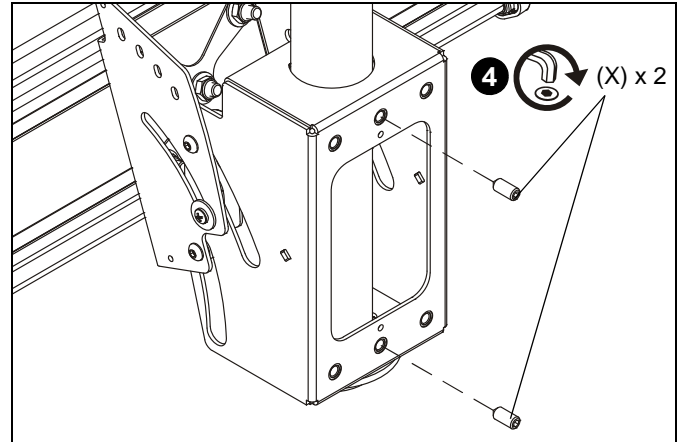


Figure 2

Attaching Mount to CPA Extension Column



CAUTION: WATCH FOR PINCH POINTS! Do not place fingers between moveable parts.

1. Slide ceiling mount (CC) up from below onto installed column (not included). (See Figure 3)
2. Slide bottom stop collar (AA) onto installed column, lining up holes in collar with holes in column.

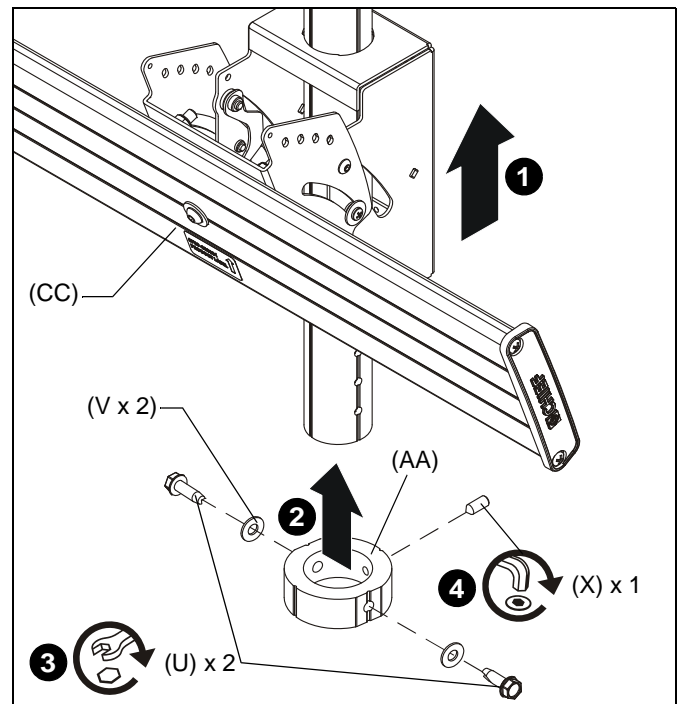


Figure 3

3. Install two 5/16" x 1" self-tapping screws (U) through two 5/16" flat washers (V), bottom stop collar (AA), and into installed column.
4. Install and tighten 5/16" x 3/4" set screw (X) into bottom stop collar (AA). (See Figure 3)

5. Install and tighten two 5/16" x 3/4" set screws (X) through back of mount (CC) and against column. (See Figure 4)

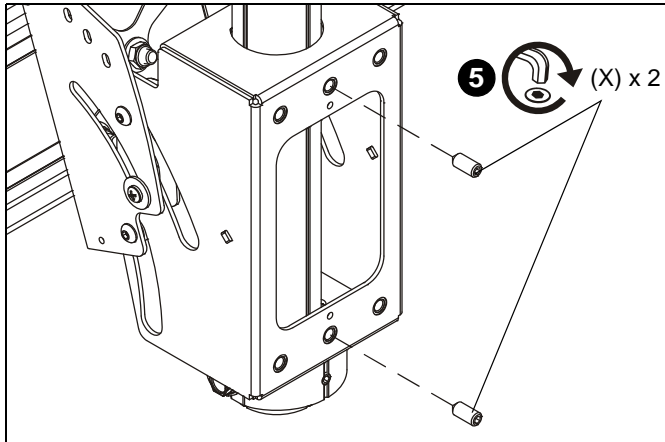


Figure 4

Attaching Interface Brackets to Display

1. Lower the latch mechanism on each interface bracket (FF). (See Figure 5)

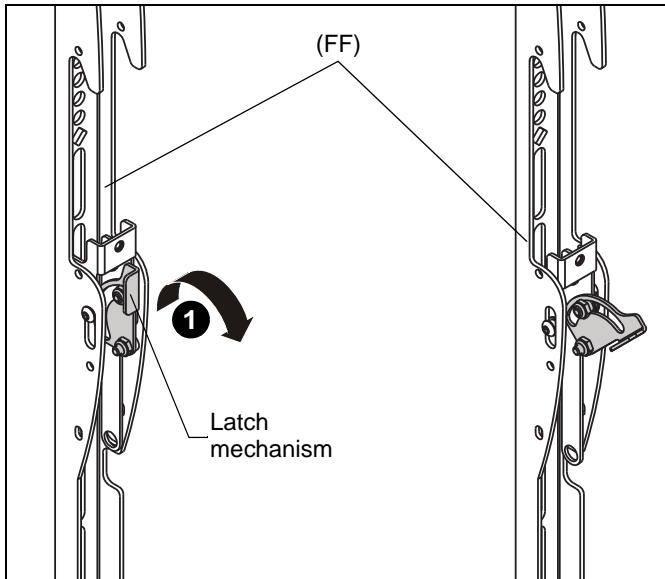


Figure 5

2. Align the center of the interface bracket (FF) with center of screen. (See Figure 6)

NOTE: The diamond-shape hole in the bracket corresponds to the center of the mount.

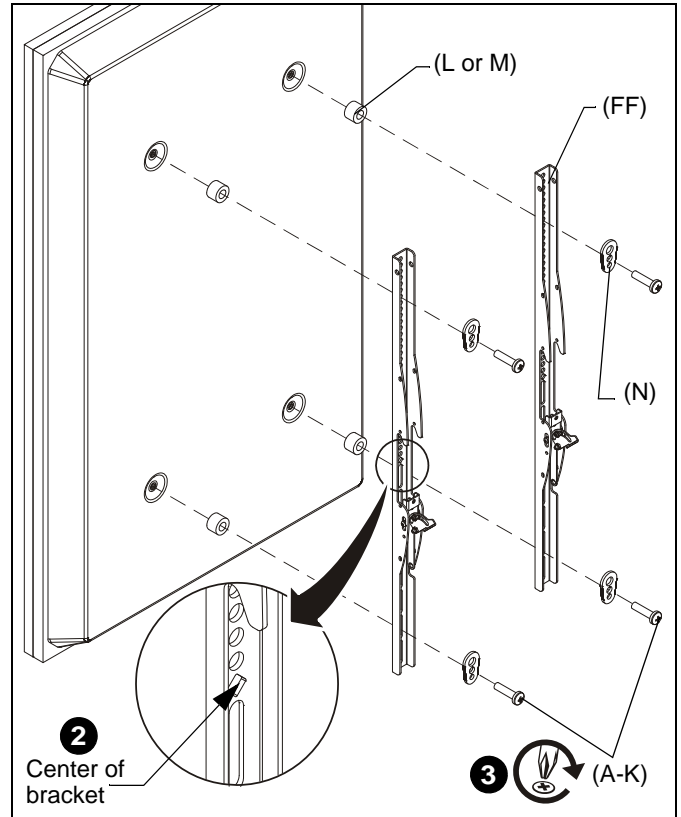


Figure 6



WARNING: IMPROPER INSTALLATION CAN LEAD TO DISPLAY FALLING CAUSING SERIOUS PERSONAL INJURY OR DAMAGE TO EQUIPMENT! Using screws of improper size may damage your display. Properly sized screws will easily and completely thread into display mounting holes. If spacers are required, be sure to use longer screws of the same diameter.

3. Select correct screws, spacers (if necessary) and universal washers from the hardware bag (A-N) and attach brackets (FF) to back of screen. (See Figure 6)

Attaching Display to Ceiling Mount

1. Ensure that the latch mechanisms on interface brackets (FF) are already lowered. (See Figure 5)
2. While supporting both sides of display, lower display onto ceiling mount, hooking top of interface brackets onto front of ceiling mount. (See Figure 7)



WARNING: IMPROPER INSTALLATION CAN LEAD TO DISPLAY FALLING CAUSING SERIOUS PERSONAL INJURY OR DAMAGE TO EQUIPMENT! The display **MUST** be centered on the ceiling mount.

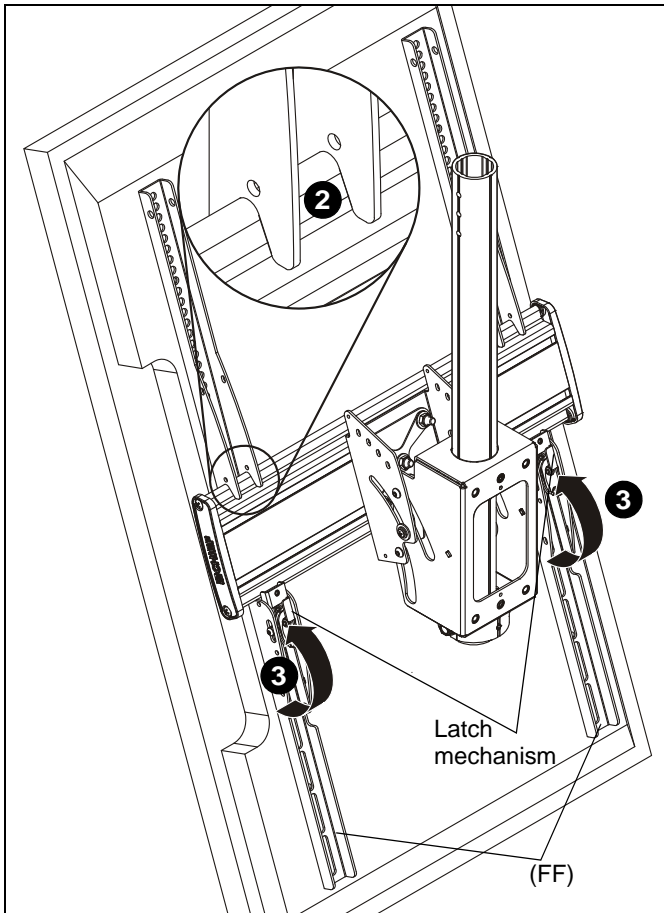


Figure 7

3. Raise the latch mechanism on both interface brackets to lock bracket in place. (See Figure 7)
4. Fasten bracket against ceiling mount extrusion using one 10-24 x 5/8" button head cap screw (HH). (See Figure 8)
5. Repeat for other interface bracket.

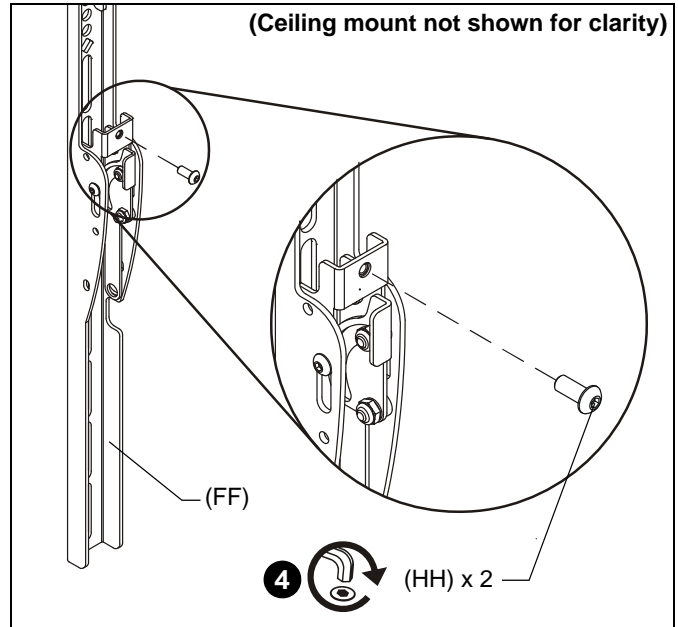


Figure 8

Adjustments



CAUTION: Watch for pinch points! Do not place fingers between moveable parts.

IMPORTANT ! : Always use two hands (one at bottom of display and one at top of display) to adjust ceiling mount.

Roll

The ceiling mounts allow up to 3° roll each direction.

1. Turn the roll adjustment screw in the direction necessary for the desired roll. (See Figure 9)
2. Stop adjusting when the desired setting is reached.

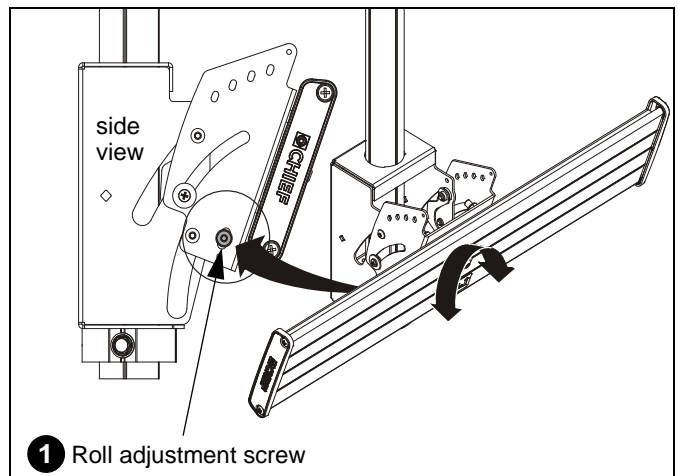


Figure 9

Tilt

The ceiling mounts allow -5° to 20° tilt. The ceiling mount can be locked at 0°, 5°, 10° and 15° tilt.

3. Loosen two tilt friction screws (located each side). (See Figure 10)
4. Adjust tilt as required. Note specific degrees of tilt. (See Figure 10)
5. Tighten two tilt adjustment screws if NOT using the 0°, 5°, 10° or 15° settings.

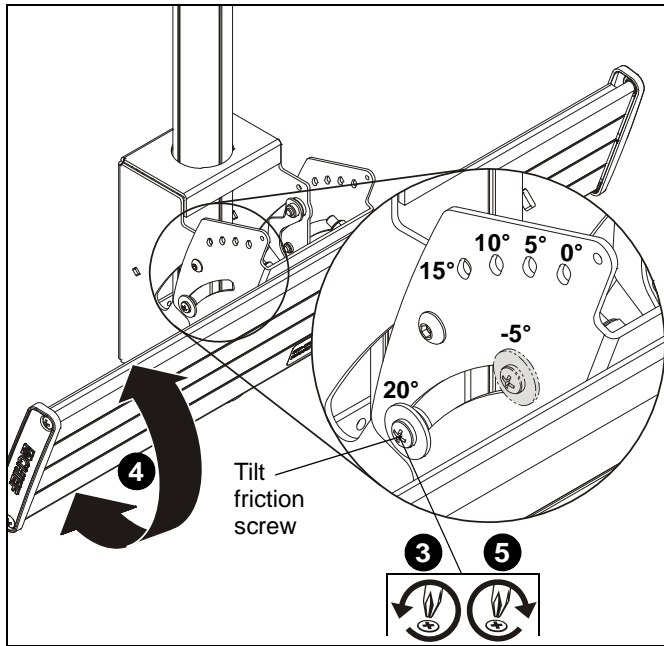


Figure 10

6. If using the tilt settings of 0°, 5°, 10° or 15°, insert two 10-24 x 1/2" Phillips head screws (Y) and two 10-24 lock nuts (Z) to lock mount at the specific tilt. (See Figure 11)

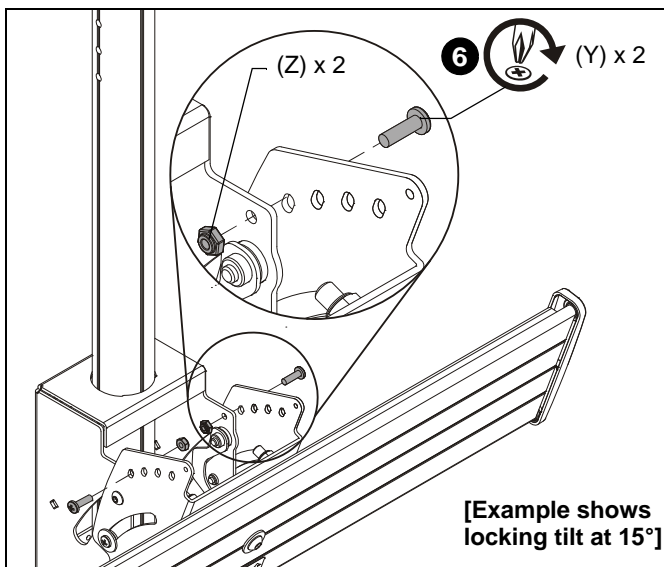


Figure 11

OPTIONAL: Security

1. **OPTIONAL:** Add padlock (not included) to each interface bracket to lock display to ceiling mount. (See Figure 12)

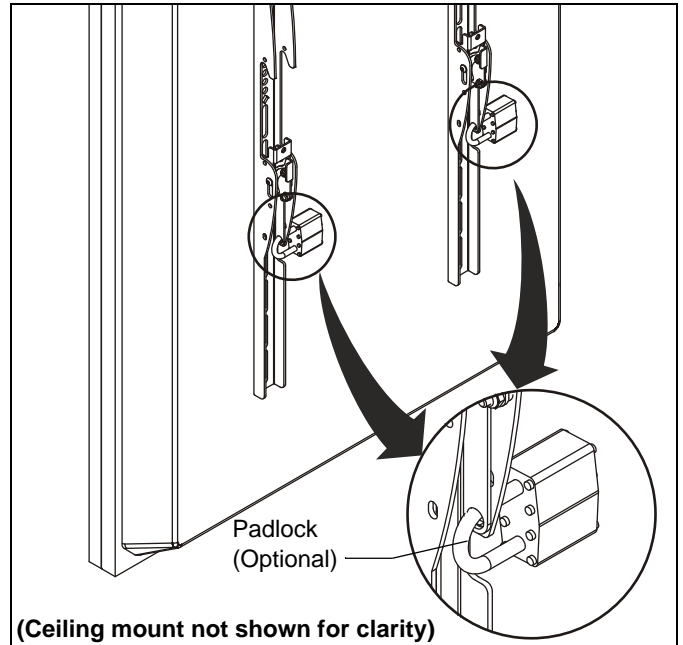


Figure 12

Installing Covers

1. Install four interface bracket covers (GG) over the top and bottom of both interface brackets. (See Figure 13)

NOTE: Be sure to line up tabs inside the bracket covers with holes on sides of interface brackets. (See Figure 13)

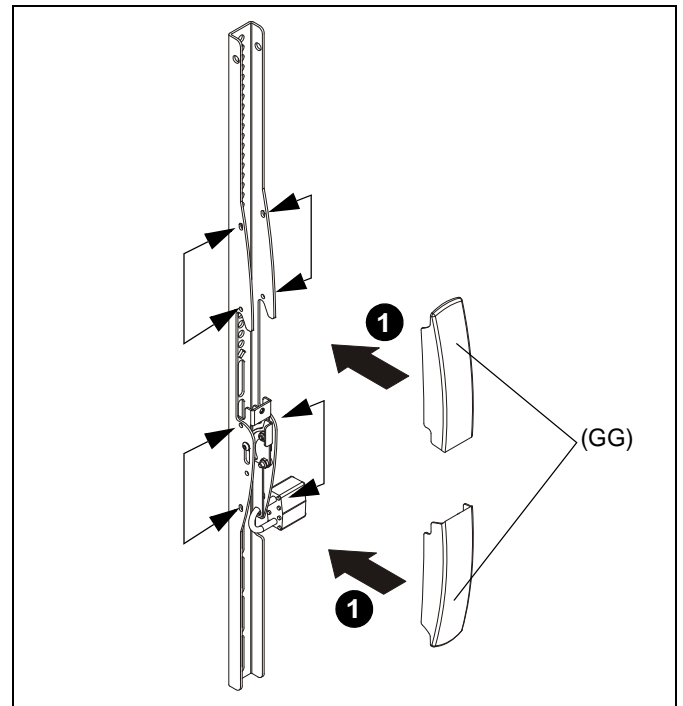


Figure 13

2. Install back cover (DD) into four holes on back of ceiling mount. (See Figure 14)

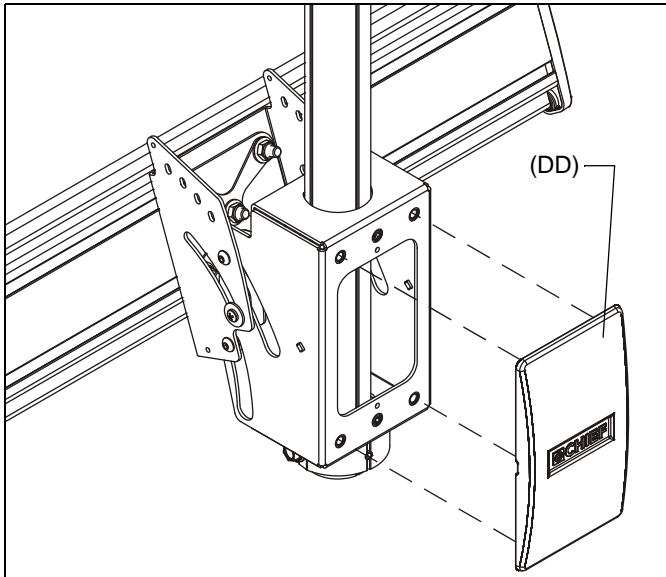


Figure 14

3. Install one side cover (EE) onto side of ceiling mount using two 10-24 x 1/2" flat head screws (W). (See Figure 15)
4. Repeat for other side of ceiling mount.

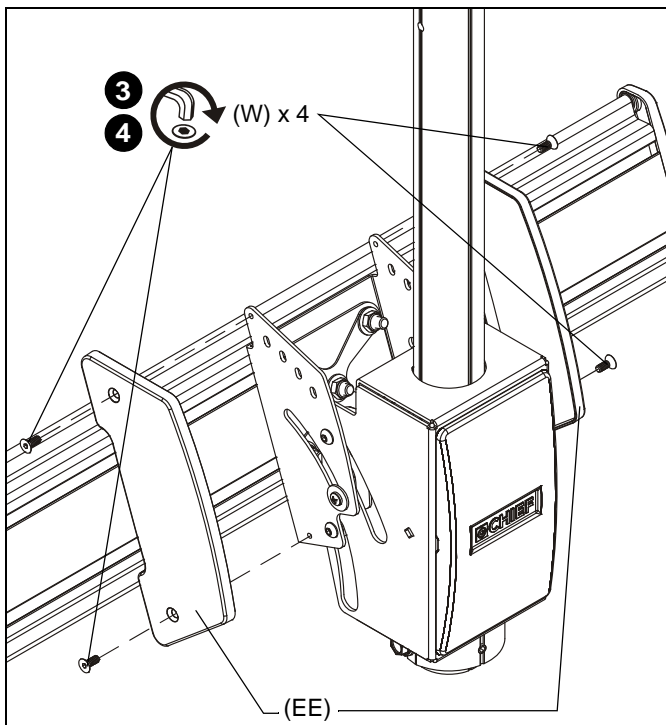


Figure 15



Our Mounts. **Your Vision.**

Chief Manufacturing, a products division
of Milestone AV Technologies

8800-002403 Rev00
©2013 Milestone AV Technologies, a
Duchossois Group Company
www.chiefmfg.com
08/13

USA/International	A 6436 City West Parkway, Eden Prairie, MN 55344 P 800.582.6480 / 952.225.6000 F 877.894.6918 / 952.894.6918
Europe	A Franklinstraat 14, 6003 DK Weert, Netherlands P +31 (0) 495 580 852 F +31 (0) 495 580 845
Asia Pacific	A Office No. 1 on 12/F, Shatin Galleria 18-24 Shan Mei Street Fotan, Shatin, Hong Kong P 852 2145 4099 F 852 2145 4477

